



MAINTAIN  
AND  
PROTECT  
YOUR  
FIREARMS

# CARBON REMOVERS

CARBON REMOVERS

Removes carbon buildup that may cause damage to your weapon and impair proper functioning.



## LPS 1® GREASELESS LUBRICANT & WEAPON WIPE

- Removes carbon build-up that other lubricants can not
- Displaces moisture
- Removes contaminants
- Resists oxidation and varnish formation
- Inverta Spray Valve

Apply product by spraying directly on firearm, soaking, or using the LPS 1® Weapon Wipe. Product will go on wet, dries in approximately 30 minutes, leaving a dry lubricating film. In areas of carbon buildup apply LPS 1® generously, let soak or clean with brush/patch. Wipe away excess to leave a thin protective film. LPS 1® is safe to use on all gun surfaces, and conditions metal to help resist future fouling.

Net Contents	Part #
7" x 10" wipe	00144
11 wt. oz./312 g/379 mL	00116

Also available in rigger, 1, 5, and 55 gallon sizes.

## LST PENETRANT

- Penetrates quickly to free stubborn parts
- Displaces moisture
- Resists oxidation and varnish formation
- Inverta Spray Valve

Apply directly on frozen or rusted parts. LST will foam, attacking the rust and corrosion to free the parts. In areas of extreme carbon buildup, simply spray and let soak until parts are free. Continue with cleaning as usual.

Net Content	Part #
11 wt. oz./312 g/382 mL	01916

Also available in 1, 5, and 55 gallon sizes.



### LPS 1® & LST CAN BE APPLIED TO THE FOLLOWING:

- All parts including:
- BOLT CARRIER
- BORE
- BUFFER TUBE
- CYLINDER
- FRAME
- INTERNAL COMPONENTS OF UPPER AND LOWER RECEIVER
- MAGAZINE
- MAG WELLS
- PINS
- SLIDE
- SPRINGS
- TRIGGER COMPONENTS

# FIREARMS SURFACE CLEANERS

FIREARMS SURFACE CLEANERS

Your firearms require a cleaner that blasts away powder residue, carbon, grease, and oil build-up, leaving the firearm clean and ready for lubrication. Products recommended for the firearms manufacturer. Products recommended for the firearms manufacturer.



## LPS 1® WEAPON WIPE

- Cleans, lubricates, and protects
- Displaces moisture
- Resists oxidation and varnish formation

Net Content 7" x 10" wipe Part # 00144

Also available in aerosol, trigger, 1, 5, and 55 gallon sizes.



## CFC FREE\* ELECTRO CONTACT CLEANER

- No chlorinated solvents
- No residue
- Cleans completely
- Flushing action cleaner

Net Content 11 wt. oz./312 g/465 mL Part # 03116

Also available in 1, 5, and 55 gallon sizes.



## MICRO-X\* FAST EVAPORATING CONTACT CLEANER

- Will not damage polymer-based weapons
- Low odor
- Flushing action cleaner
- Inverta Spray Valve

Net Content 11 wt. oz./312g/466mL Part # 04516

Also available in 55 gallon size.



## PRECISION CLEAN\* MULTI-PURPOSE CLEANER/DEGREASER

- Water-base cleaner
- Removes contaminants including fingerprint salts
- Rinses clean

Net Content 28 fl. oz. (828 mL) Trigger Part # 02728

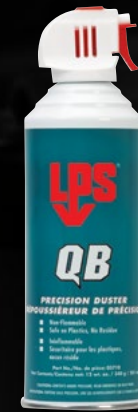
Also available in Ready-to-use aerosol, 55 gallon. In concentrate in 1, 5, and 55 gallon sizes.



## PSC\* PLASTIC SAFE CLEANER

- 100% plastic safe cleaner
- Will not damage polymer-based weapons/accessories
- Flushing action cleaner
- Non-flammable

Net Content 18 wt. oz./510 g/412 mL Part # 04620



## QB PRECISION DUSTER

- Quick blast precision duster removes contaminants, dirt, dust, and other soils
- Moisture free
- Ideal for maintaining precision optics
- Removes dry contaminants
- Non-flammable

Net Content 12 wt. oz./340 g/281 mL Part # 05710

\*To prevent flash rusting CFC Free, Micro-X, Precision Clean, and PSC all will need a coat of LPS 1® after flushing.

### LPS 1® - THE ULTIMATE WEAPON MAINTENANCE PRODUCT

CLEAN, LUBRICATE, and PROTECT Now in an easy to use, transportable and disposable package.



# YOUR FIREARMS IN STORAGE

Ideal to protect your firearms from humidity that may cause rust and corrosion, and damage.



## LPS 1®\*

### GREASELESS LUBRICANT & WEAPON WIPE

- Safe on case hardening, bluing, military coatings and plastics
- Reduces wear caused by friction and corrosion
- Displaces moisture
- Conditions metal surfaces
- Does not attract dust
- Short term protection

Net Contents 7" x 10" wipe 11 wt. oz./312 g/379 mL Part # 00144 00116

*Also available in trigger, 1, 5, and 55 gallon sizes.*

## LPS 2®\*

### HEAVY-DUTY LUBRICANT

- Coats and lubricates internal parts to prevent binding
- Goes on wet and stays wet
- Provides corrosion protection
- Protects for up to 12 months in storage

Net Content 11 wt. oz./312 g/369 mL Part # 00216

*Also available in trigger, 1, 5, and 55 gallon sizes.*

Does not require removal before gun use.

## LPS 3®\*

### PREMIER RUST INHIBITOR

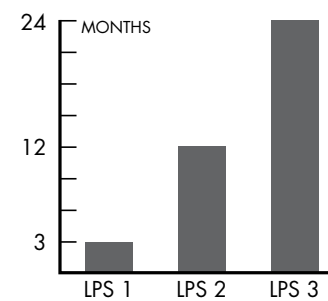
- Soft waxy film protects and prevents metal from corrosion during long term storage

Net Content 11 wt. oz./312 g/380 mL Part # 00316

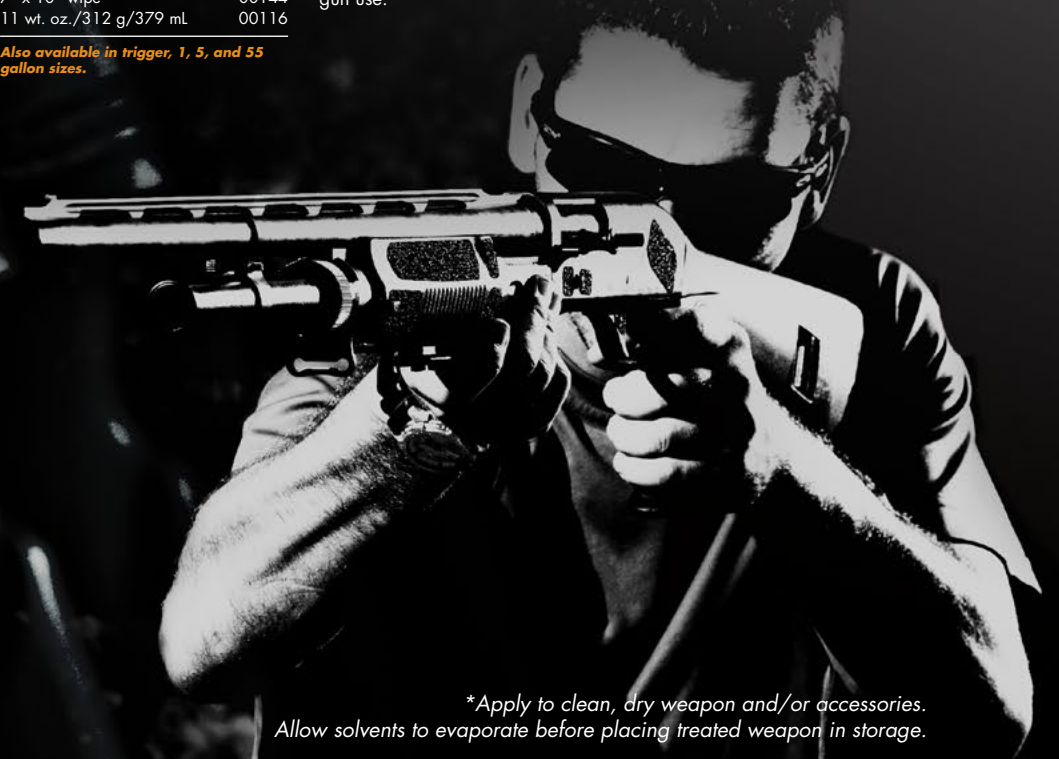
*Also available in trigger, 1, 5, and 55 gallon sizes.*

Easily removed with A-151 or PreSolve®. Available thru your local LPS® industrial supplier. For use on metal parts only.

DURATION OF INDOOR PROTECTION AGAINST CORROSION



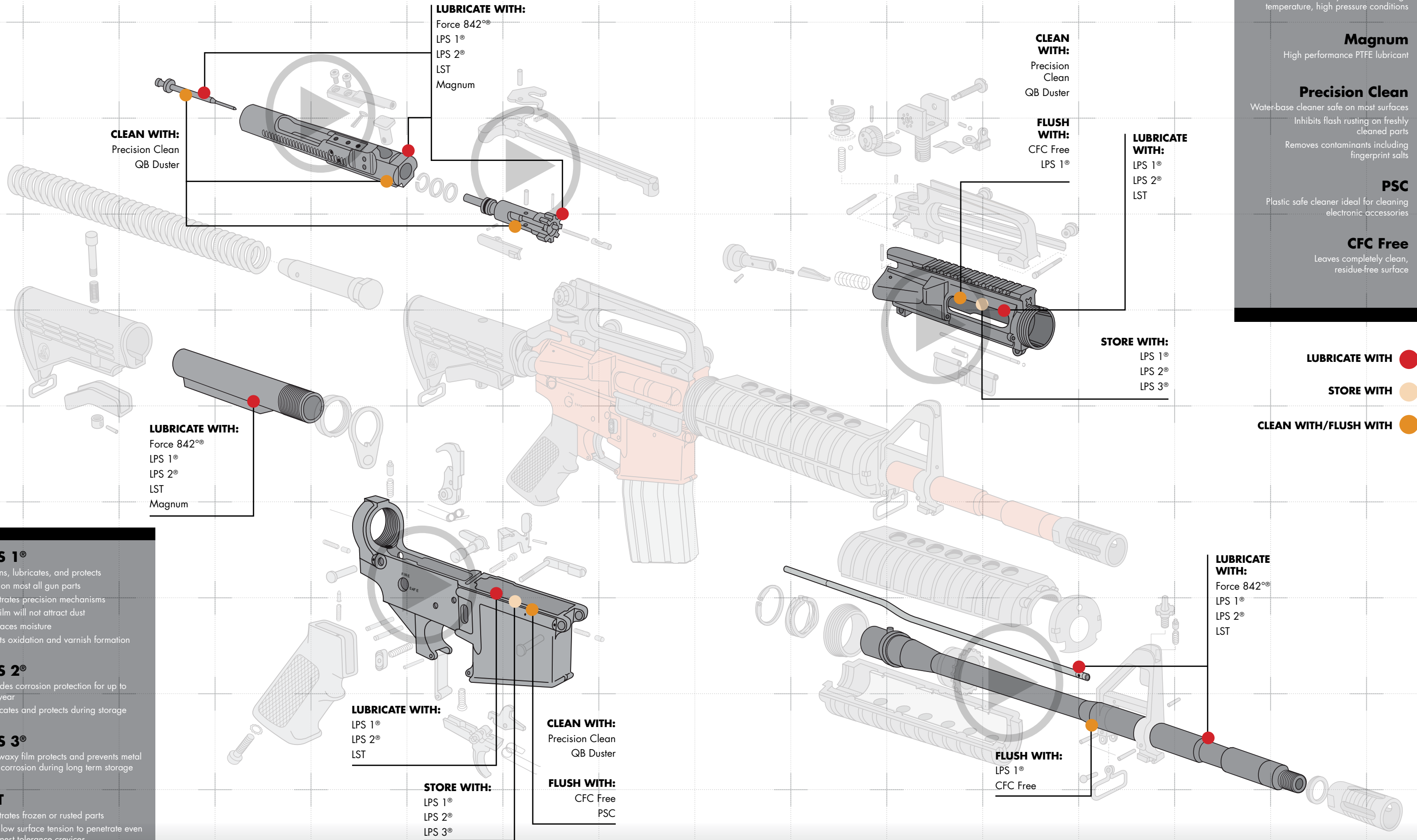
YOUR FIREARMS IN STORAGE



\*Apply to clean, dry weapon and/or accessories. Allow solvents to evaporate before placing treated weapon in storage.



# AREAS OF CONCERN



**CLEAN WITH:**  
Precision Clean  
QB Duster

**LUBRICATE WITH:**  
Force 842<sup>®</sup>  
LPS 1<sup>®</sup>  
LPS 2<sup>®</sup>  
LST  
Magnum

**CLEAN WITH:**  
Precision Clean  
QB Duster

**FLUSH WITH:**  
CFC Free  
LPS 1<sup>®</sup>

**LUBRICATE WITH:**  
LPS 1<sup>®</sup>  
LPS 2<sup>®</sup>  
LST

**STORE WITH:**  
LPS 1<sup>®</sup>  
LPS 2<sup>®</sup>  
LPS 3<sup>®</sup>

**LUBRICATE WITH:**  
Force 842<sup>®</sup>  
LPS 1<sup>®</sup>  
LPS 2<sup>®</sup>  
LST  
Magnum

**LUBRICATE WITH:**  
LPS 1<sup>®</sup>  
LPS 2<sup>®</sup>  
LST

**STORE WITH:**  
LPS 1<sup>®</sup>  
LPS 2<sup>®</sup>  
LPS 3<sup>®</sup>

**CLEAN WITH:**  
Precision Clean  
QB Duster

**FLUSH WITH:**  
CFC Free  
PSC

**FLUSH WITH:**  
LPS 1<sup>®</sup>  
CFC Free

**LUBRICATE WITH:**  
Force 842<sup>®</sup>  
LPS 1<sup>®</sup>  
LPS 2<sup>®</sup>  
LST

**LUBRICATE WITH** ●

**STORE WITH** ●

**CLEAN WITH/FLUSH WITH** ●

**Force 842<sup>®</sup>**  
Extreme-duty lubricant for high temperature, high pressure conditions

**Magnum**  
High performance PTFE lubricant

**Precision Clean**  
Water-base cleaner safe on most surfaces  
Inhibits flash rusting on freshly cleaned parts  
Removes contaminants including fingerprint salts

**PSC**  
Plastic safe cleaner ideal for cleaning electronic accessories

**CFC Free**  
Leaves completely clean, residue-free surface

**LPS 1<sup>®</sup>**  
Cleans, lubricates, and protects  
Safe on most all gun parts  
Penetrates precision mechanisms  
Dry film will not attract dust  
Displaces moisture  
Resists oxidation and varnish formation

**LPS 2<sup>®</sup>**  
Provides corrosion protection for up to one year  
Lubricates and protects during storage

**LPS 3<sup>®</sup>**  
Soft waxy film protects and prevents metal from corrosion during long term storage

**LST**  
Penetrates frozen or rusted parts  
Very low surface tension to penetrate even the finest tolerance crevices

WWW.LPSLABS.COM



©2013 LPS Laboratories  
LPS®, LPS 1®, LPS 2®, LPS 3®, and Force 842® are registered trademarks of Illinois Tool Works  
All Rights Reserved • Rev. 10/2013